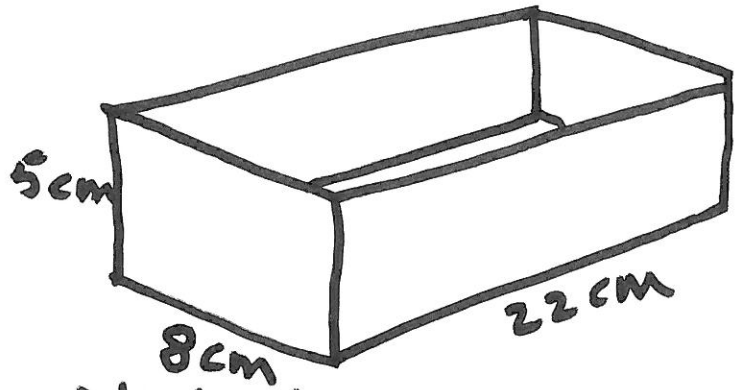


Name _____ Per _____

The Floating Tray

mass = 220g



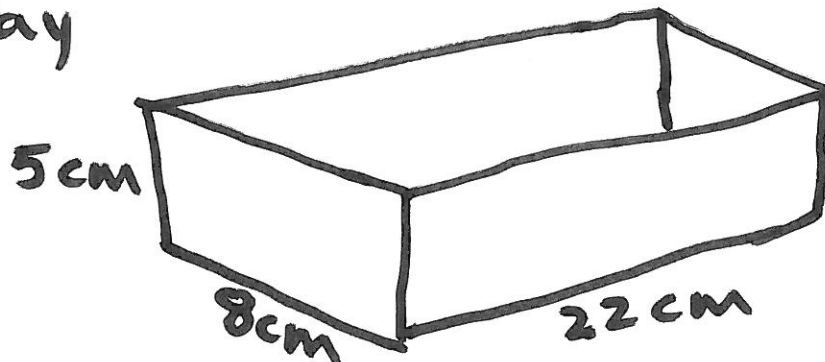
1. How much can it hold? _____ g

2. How Deep will it Float? _____ cm

Name _____ per _____

The Floating Tray

mass = 220g



1. How much can it hold? _____ g

2. How Deep will it float? _____ cm