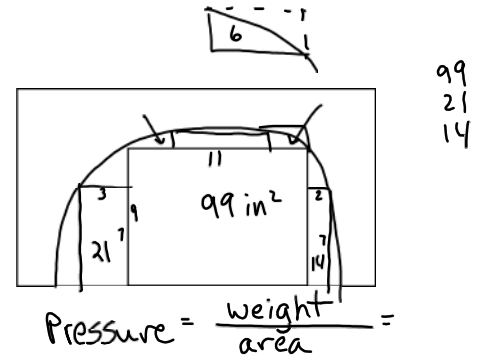


CP Jan 6

CLT students will describe pressure in scientific terms and do an activity that will leave an impression on them.



$$\frac{625 \text{ nails}}{187.65 \text{ in}^2} = \frac{3.33 \text{ nails}}{\text{in}^2}$$

$$140 \text{ in}^2 \times \frac{3.33 \text{ nails}}{\text{in}^2} =$$